

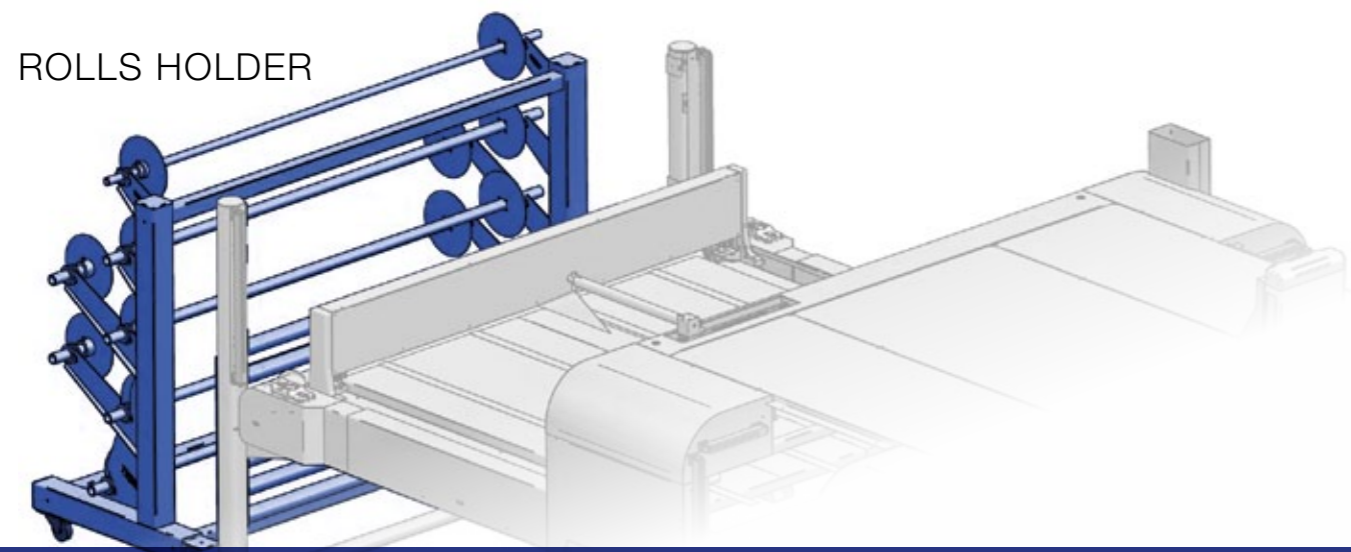
MULTI-PLIES CUTTING SOLUTIONS



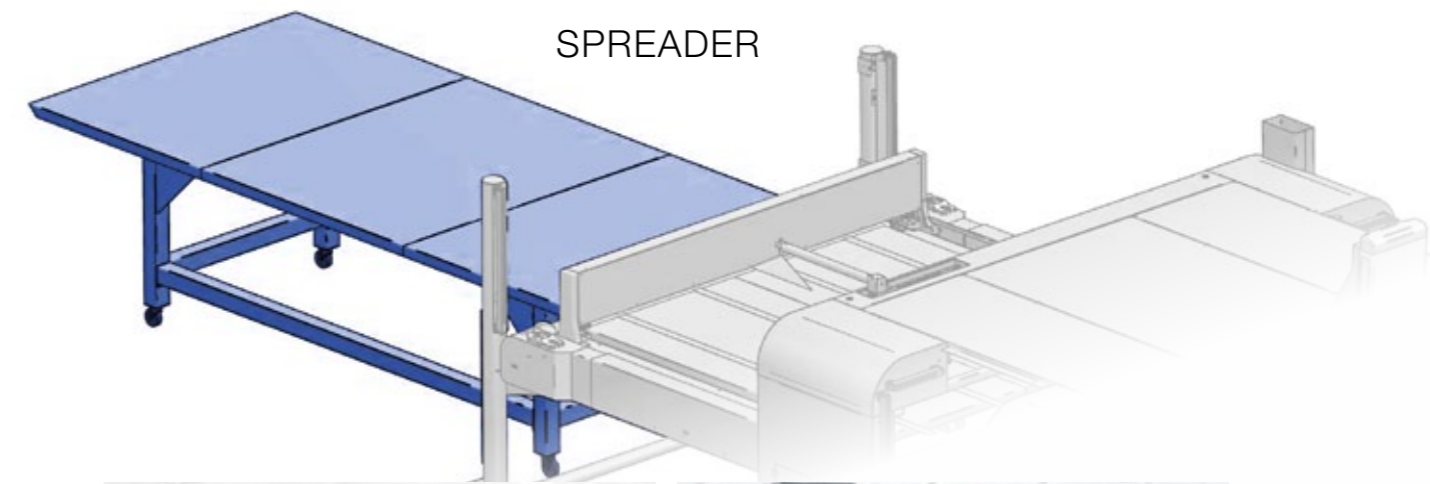
UP TO **10** LAYERS, **18**mm THICKNESS

OPTIONAL: UP TO **25**mm THICKNESS

TESEO
OPTIMIZEYOURBUSINESS



ROLLS HOLDER



SPREADER

SAME MACHINE, TWO FEEDING SOLUTIONS

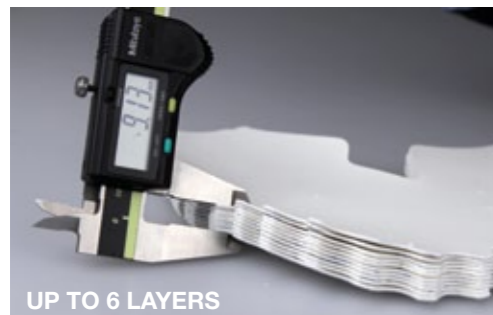
“To guarantee a continuous and smooth cutting cycle it is necessary to balance the feeding and the output of the machine. To cut 10 layers, 10 rolls with same length are needed, but often they are not available. Also the arming and alignment of many rolls of material sometime could be problematic.

For this all TESEO's multilayer cutting machines work with flexible feeding solutions: up to 6 layers direct feeding from the coil is recommended, for more than 6 its suggested to prepare the mattress on the spreader.”



MATTRESS WITH OR WITHOUT FILM

UP TO 9mm THICKNESS



UP TO 6 LAYERS



RECOMMENDED

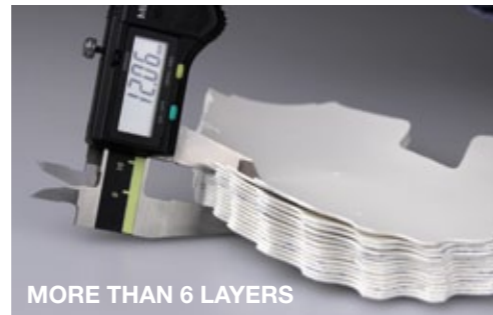


NOT RECOMMENDED

BLADE A+



UP TO 12mm THICKNESS



MORE THAN 6 LAYERS



NOT RECOMMENDED

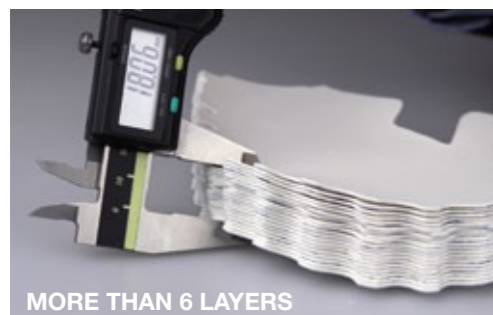


RECOMMENDED

BLADE B



UP TO 18mm THICKNESS



MORE THAN 6 LAYERS



NOT RECOMMENDED

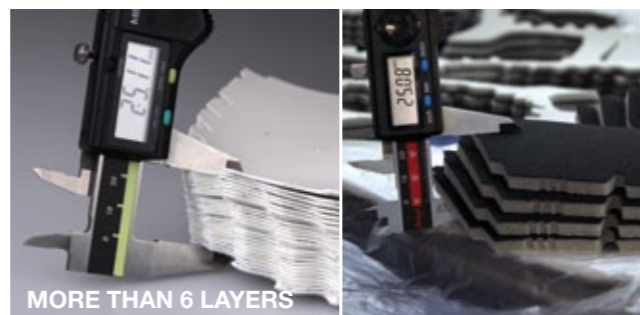


RECOMMENDED

BLADE C



UP TO 25mm THICKNESS



MORE THAN 6 LAYERS



NOT RECOMMENDED



RECOMMENDED

BLADE D

WITH OPTIONAL EQUIPMENT



IDEAL FOR LEATHER,
READY FOR CUTTING
ROLL MATERIALS



Double head cutting equipment, equipped with an ergonomic working area for quality control and comfort.

2 CUTTING HEADS

2 HD CAMERAS

ERGONOMIC WORKING AREA

AUTOMATIC RE-CENTERING



IDEAL FOR ROLL MATERIALS,
READY FOR CUTTING LEATHER

Double head cutting equipment for roll materials and leather.

2 CUTTING HEADS

CUTTING UP TO 10 LAYERS

ASSISTED TRANSPORT

NON STOP CUTTING

The switch of the system from “multi-ply” mode to “leather” mode takes place in a few minutes.



FROM LEATHER



TO MULTI-PLIES

Xi, designed for **leather** cutting, can also be used to cut synthetic and fabrics.



FROM MULTI-PLIES



TO LEATHER

Xi M, designed for **multi-ply** cutting, can also be used to cut leather.



TYCHE



Xi

TESEO



FIRST AND ONLY
MANUFACTURER
OF AUTOCUTTING
SYSTEMS
CERTIFIED




FLEXIBLE

Xi can be ready for leather cutting in less than 3 minutes.

GUARANTEED
AND CERTIFIED
QUALITY

2 YEARS
WARRANTY

TESEO
OPTIMIZEYOURBUSINESS